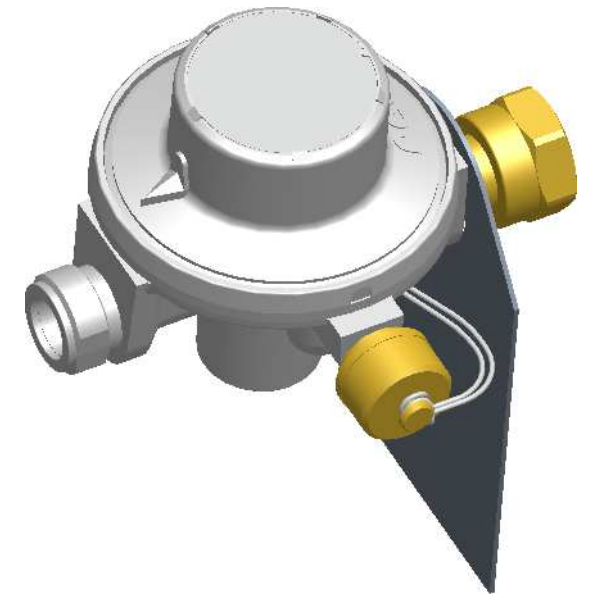
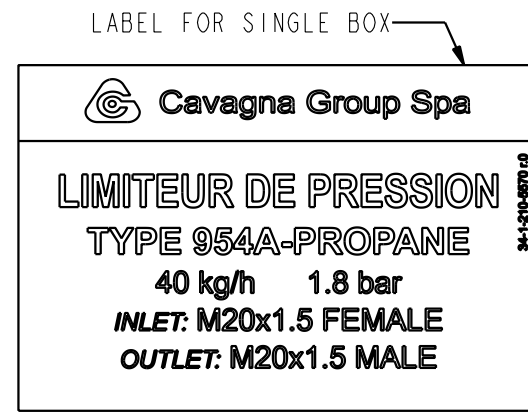
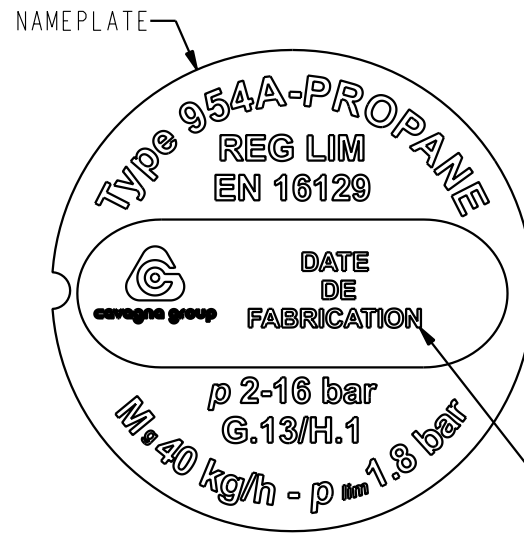
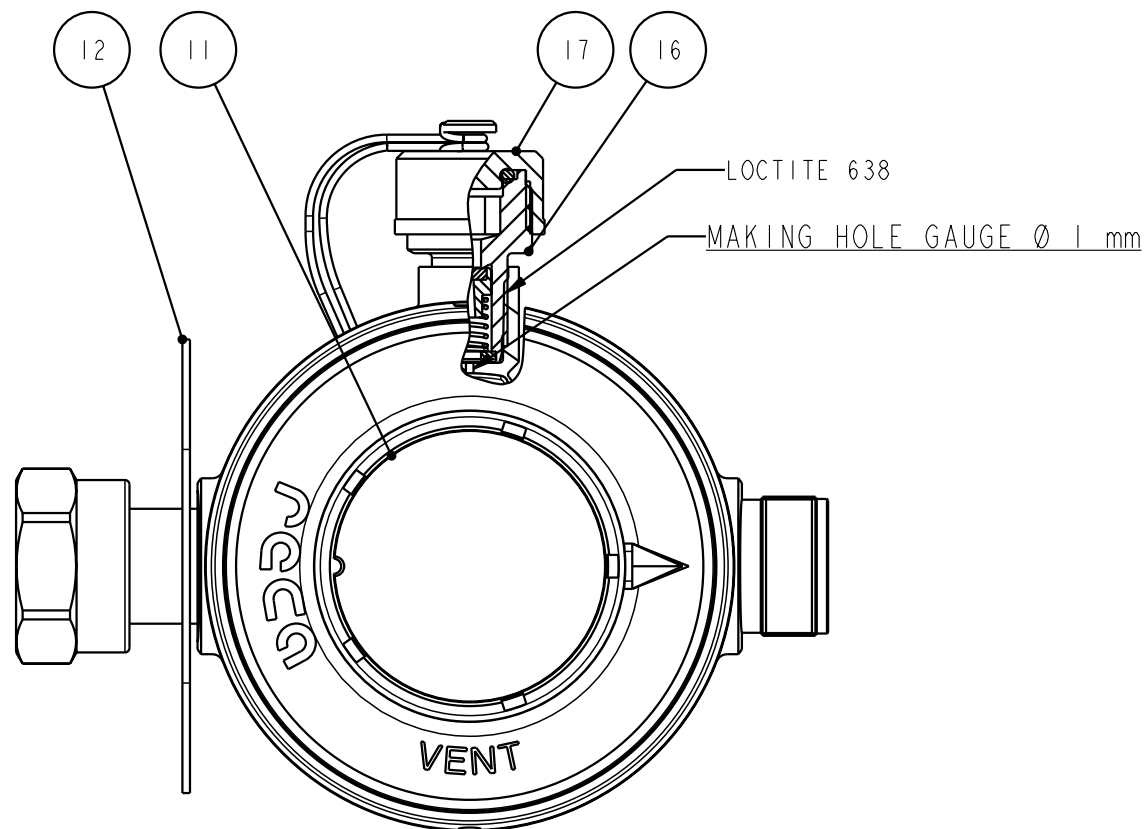
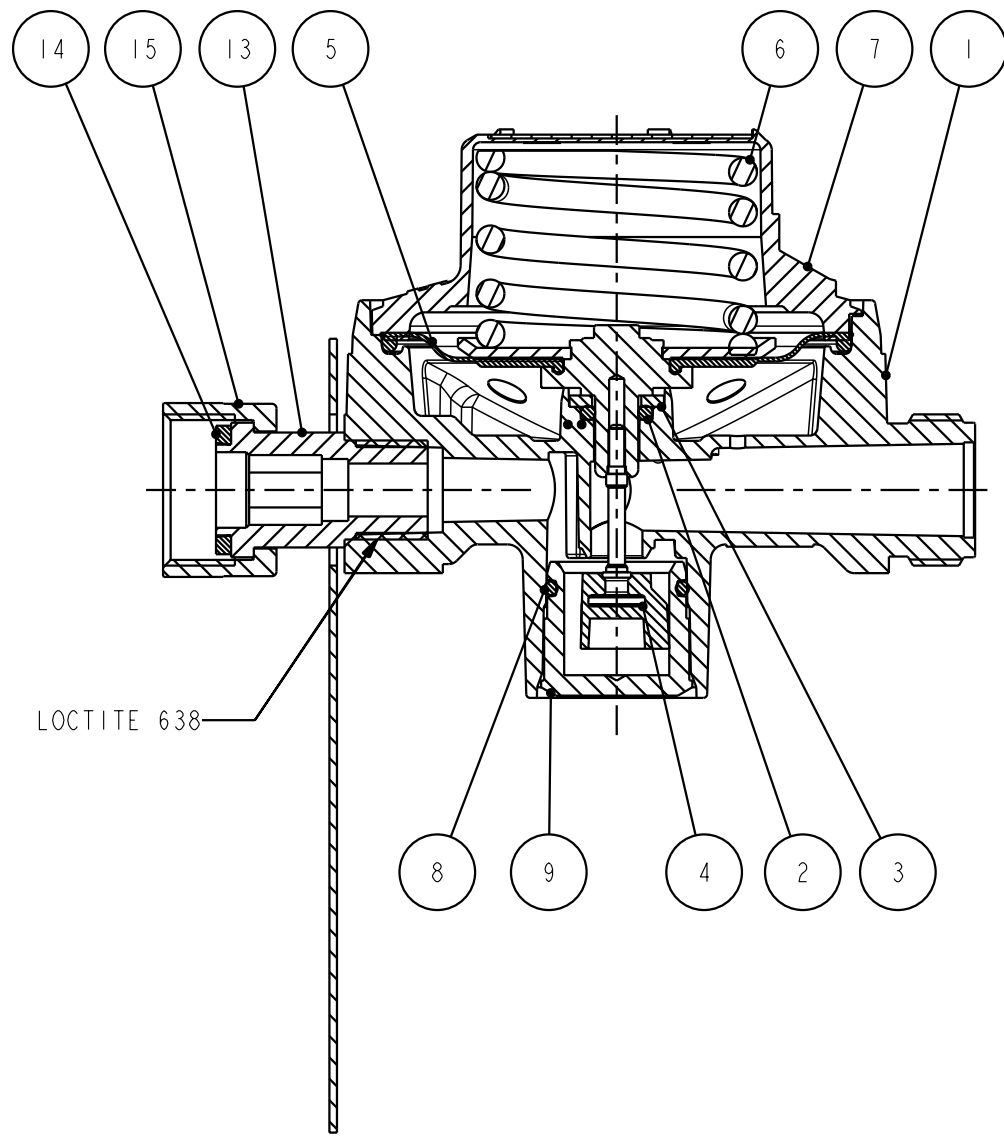


This drawing may not be copied or distributed in any way without the written permission of Cavagna Group Div. RE.CA. Via Matteotti, 5 - Calvisano - BS - Italy



DATE OF MANUFACTURE:
PRINT PROGRESSIVE NUMBER
MONTH AND YEAR OF PRODUCTION

NO	NO PRODUCT	DENOMINATION	Q.TY
1	00-1-150-0655	MACHINED BODY FOR TYPE 90-95	1
2	04-1-110-0503	ANELLO TOROIDALE	1
3	15-1-110-0022	RONDELLA	1
4	06-1-950-0010	PASTICCA ADERIZZATA	1
5	09-1-950-0039	S/I MEMBRANA MOD.90	1
6	07-1-110-0684	SPRING FOR TYPE 954 - 1.5 bar	1
7	01-1-150-0100	COPERCHIO A. P. LAVORATO	1
8	04-1-110-0520	ANELLO TOROIDALE (RIF. J.F. R 6A)	1
9	16-1-110-0304	TAPPO	1
10	24-1-110-0001	WHITE ALUMINIUM RAL 9006	1
11	18-1-110-3717	NAMEPLATE FOR TYPE 954A	1
12	34-1-110-1056	HANG TAG FOR TYPE 954 - NF	1
13	16-1-110-0146	FITTING	1
14	04-1-110-0014	JOINT M 20x1.5	1
15	10-1-110-0087	ECROU DETENDEUR GPL (CALOTTA M20 X 1.5)	1
16	16-1-950-0164	S/I RACCORDO PRESA MANOMETRO	1
17	16-1-950-0151	S/I TAPPO	1
18	34-1-110-1813	INSTRUCTION TYPE 954-954A ENI6129 (IT-FR-DE)	1
19	23-1-210-0080	STANDARD SINGLE BOX	1
20	34-1-210-5570	LABEL FOR SINGLE BOX TYPE 954A-PROPANE	1
21	23-1-510-0002	STANDARD BOX (R34)	1

	DENOMINATION		LIMITEUR DE PRESSION (PRISE MANOMETRE) PROPANE 1.8 bar 40 kg/h				
	WITH SAFETY						
RECA	MODEL 954	ORIFICE 6.8	INLET M 20x1.5 FEMALE		OUTLET M 20x1.5 MALE	SHARED N.A.	PROD. INT. GROUP -
PERFORMANCE DOC. 910	COUNTRY FRANCIA	COUNTRY SPECIFIC ENI6129	WEIGHT N.A.	SCALE 1:1	MODIFY FILE N.A.	PRODUCT NO 95-1-490-0066	
PROG. EVOLUTION DEFINITIVE	PROJECT NO DS07346	RELEASE LEVEL STUDY WIP	DRAWN BY SINGH L.	VERIFIED BY PEDRETTI A.	APPROVED BY TOMASELLI L.	DATE 31/08/20	REV 0