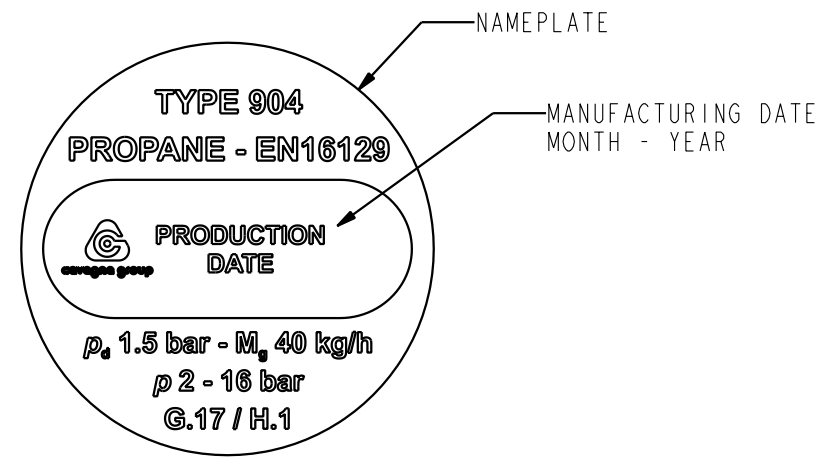
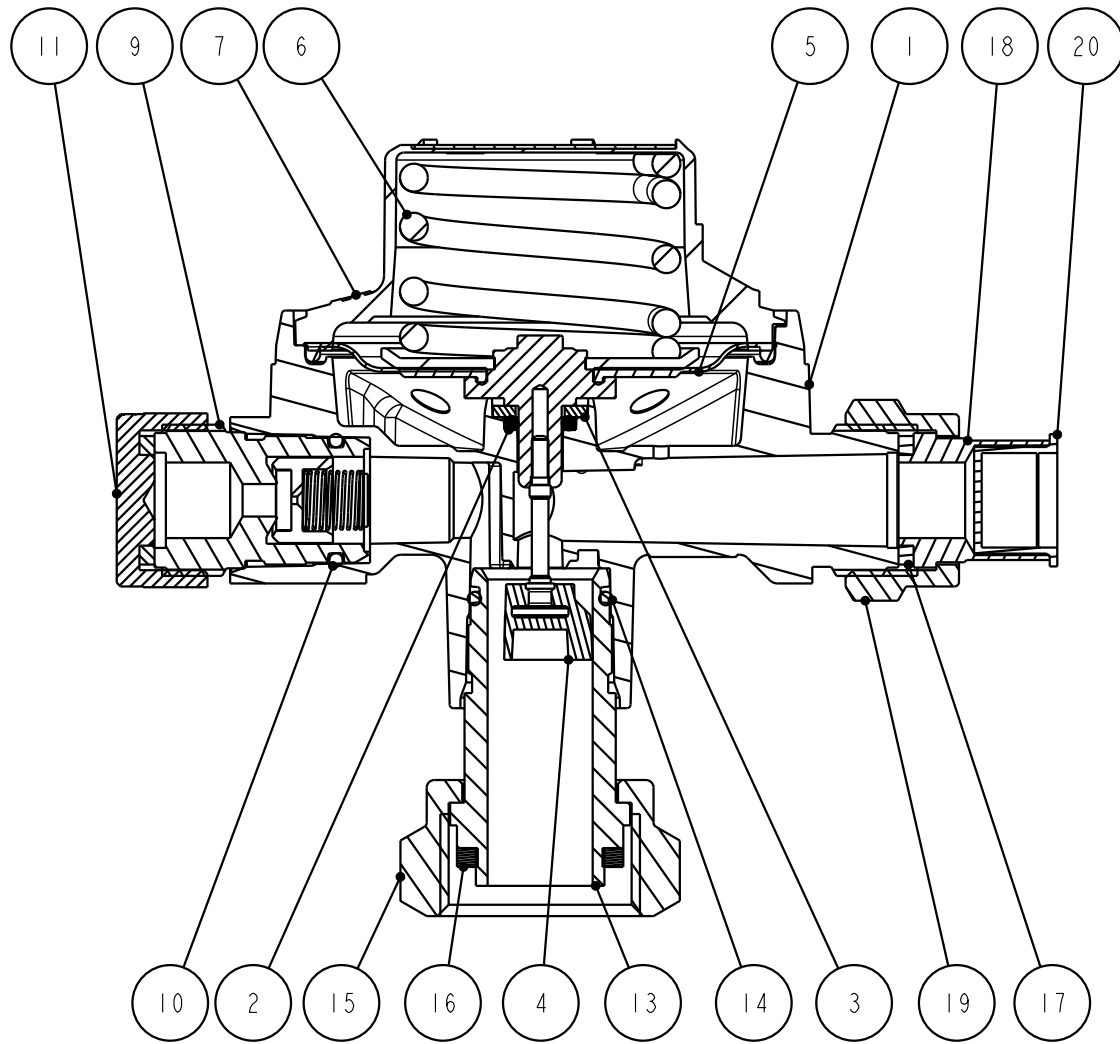
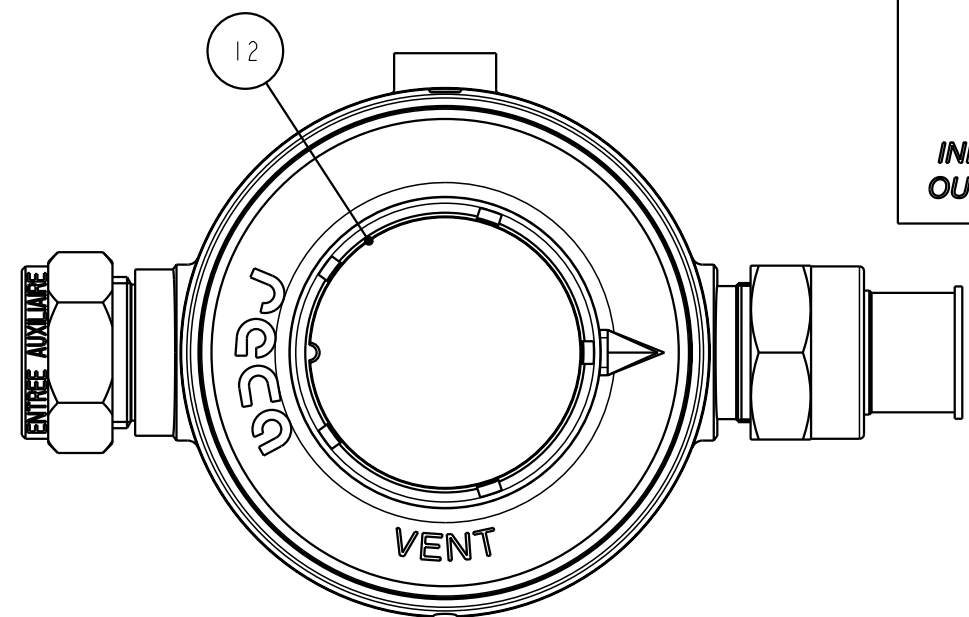
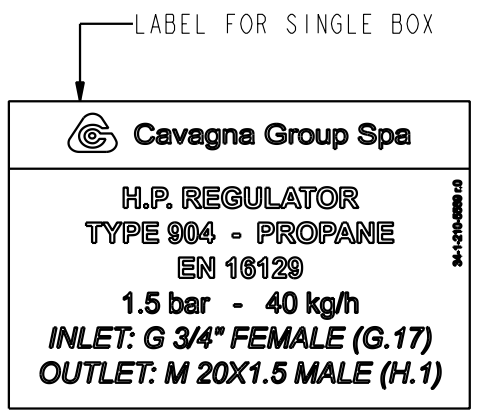


This drawing may not be copied or distributed in any way without the written permission of Cavagna Group Div. RE.CA. Via Matteotti, 5 - Calvisano - BS - Italy



NO	NO PRODUCT	DENOMINATION	Q.TY
1	00-1-150-2055	SCATOLA A.P. Tipo "FRA"-VERT. lavorata	1
2	04-1-110-0503	ANELLO TOROIDALE	1
3	15-1-110-0022	RONDELLA	1
4	06-1-950-0010	PASTICCA ADERIZZATA	1
5	09-1-950-0039	S/I MEMBRANA MOD.90	1
6	07-1-110-0129	MOLLA DI TARATURA MOD.90 (1.5 bar-FRA)	1
7	01-1-150-0100	COPERCHIO A. P. LAVORATO	1
8	24-1-110-0001	WHITE ALUMINIUM RAL 9006	1
9	16-1-950-0127	S/I RACCORDO CON VALVOLA DI NON RITORNO	1
10	04-1-110-0521	ANELLO TOROIDALE	1
11	19-1-950-0096	S/A PLUG M20x1.5 - MARKED "ENTREE AUXILIAIRE"	1
12	18-1-110-3716	NAMEPLATE FOR TYPE 904	1
13	16-1-110-0302	BROACHED FITTING	1
14	04-1-110-0520	ANELLO TOROIDALE (RIF. J.F. R 6A)	1
15	10-1-110-0114	NUT G 3/4 TYPE 90	1
16	04-1-110-0017	GUARNIZIONE 3/4 HPV	1
17	04-1-110-0014	JOINT M 20x1.5	1
18	16-1-110-0214	RACCORDO	1
19	10-1-110-0098	CALOTTA	1
20	19-1-110-2014	TAPPO DI PROTEZIONE (COD.FORN. OIS/T)	1
21	34-1-110-1812	INSTRUCTION FOR TYPE 904 EN16129 (IT-FR-DE)	1
22	23-1-210-0080	STANDARD SINGLE BOX	1
23	34-1-210-5569	LABEL FOR SINGLE BOX	1
24	23-1-510-0002	STANDARD BOX (R34)	1



	DENOMINATION		H.P. REGULATOR TYPE 904				PROPANE 1.5 bar 40 kg/h	
	N.A.		N.A.				N.A.	
RECA	MODEL	ORIFICE	INLET		OUTLET	SHARED	PROD. INT GROUP	
	904	5.8	G3/4" FEMALE		M 20X1.5 MALE	N.A.	-	
PERFORMANCE DOC.	COUNTRY	COUNTRY SPECIFIC	WEIGHT	SCALE	MODIFY FILE	PRODUCT NO		
958	SVIZZERA	EN16129	N.A.	1:1	N.A.	90-1-490-0089		
PROD. EVOLUTION	PROJECT NO	RELEASE LEVEL	DRAWN BY	VERIFIED BY	APPROVED BY	DATE	REV	
DEFINITIVE	DS07346	STUDY WIP	SINGH L.	PEDRETTI A.	TOMASELLI L.	31/08/20	0	